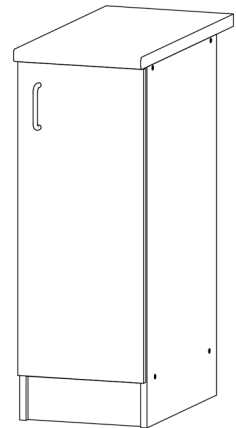
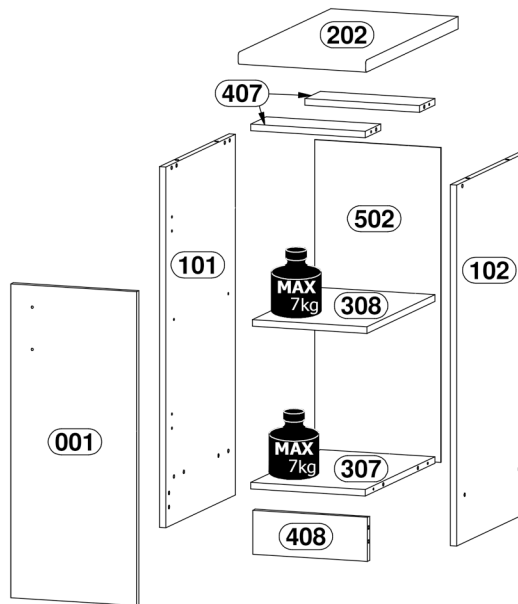
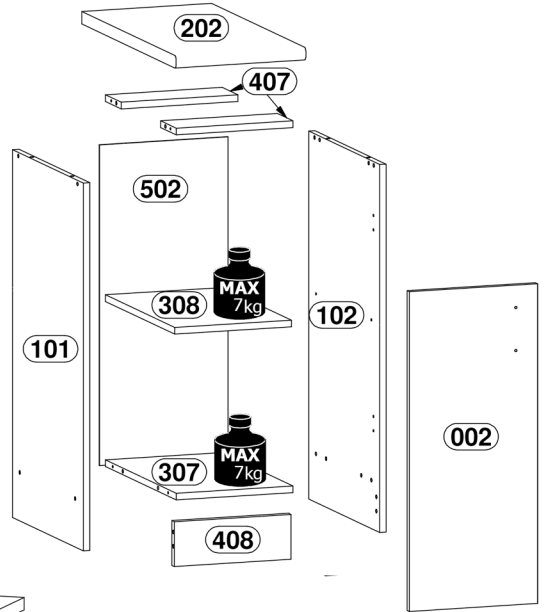
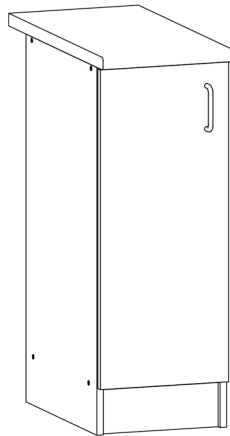
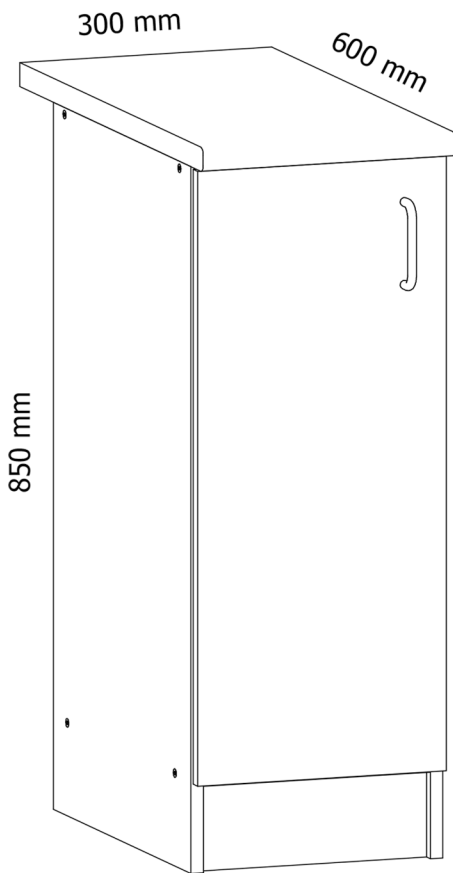
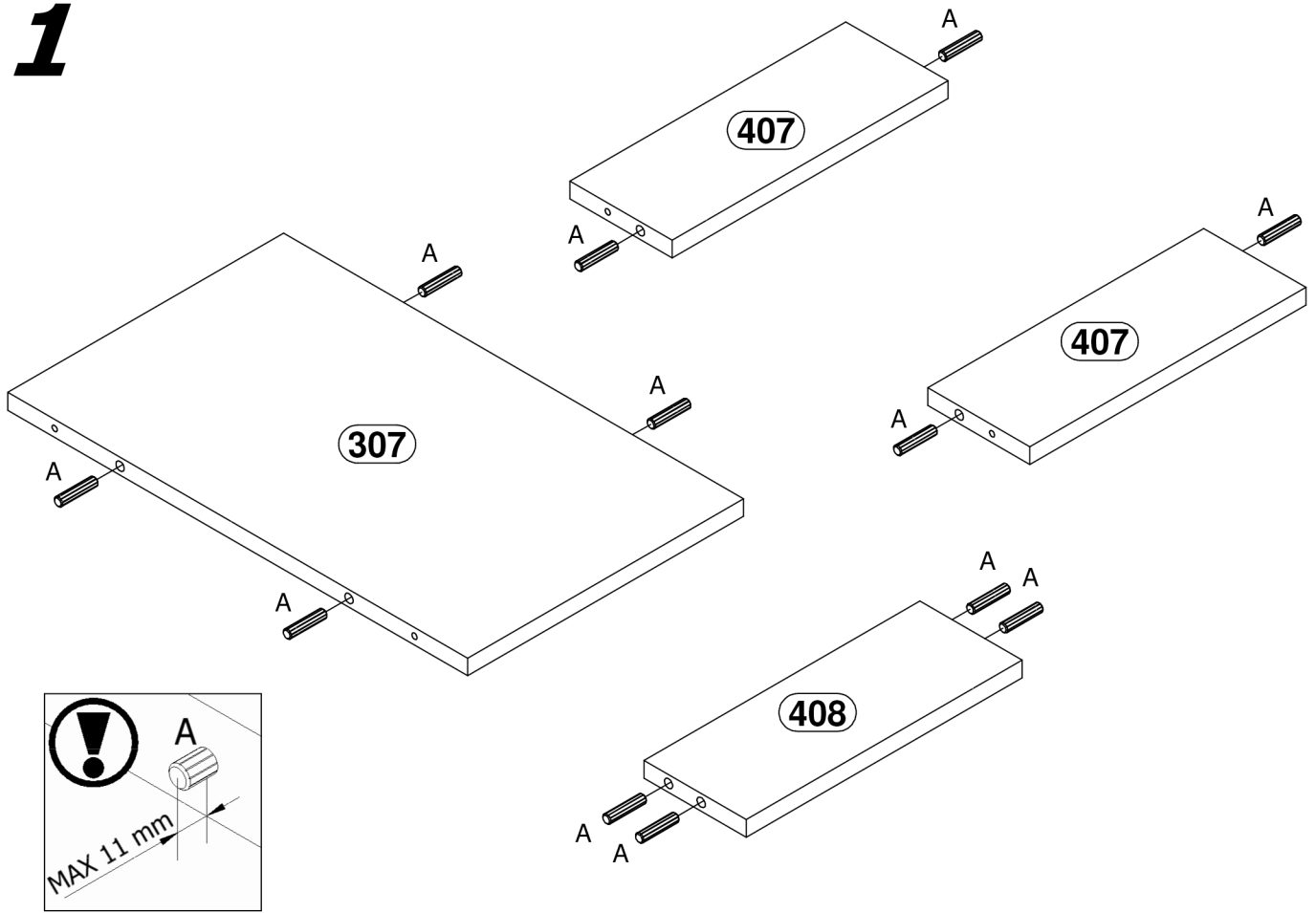


# K02-D30

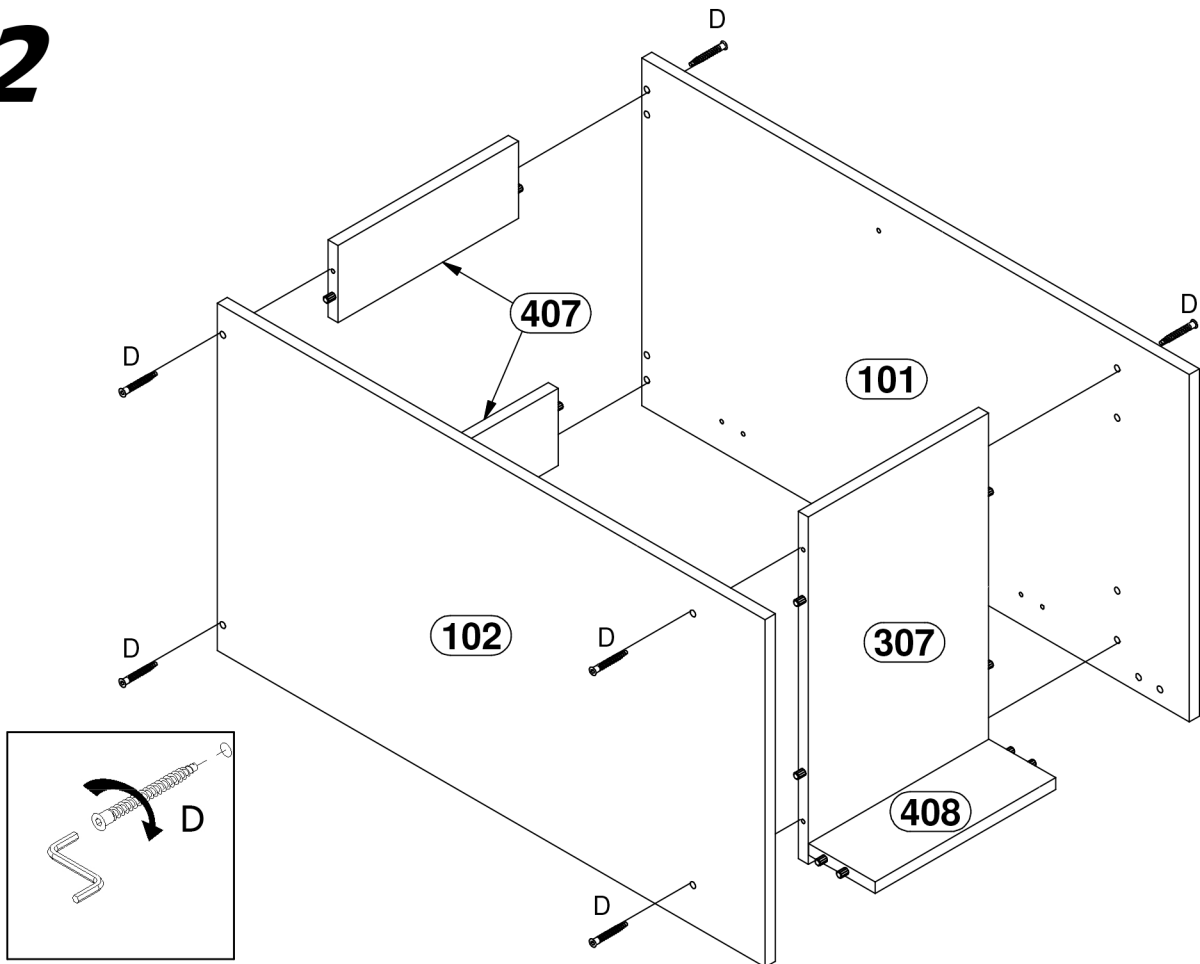


<p><b>A</b> x16</p> <p>Ø8x35mm</p>	<p><b>D</b> x8</p> <p>Ø6,4x50 mm</p>	<p><b>E</b> x4</p>	<p><b>G</b> x20</p>
<p><b>GL</b> x1</p>	<p><b>KL</b> x1</p>	<p><b>M</b> x1</p>	<p><b>W2</b> x4</p> <p>Ø3,5x16mm</p>
<p><b>Y2</b> x8</p>	<p><b>Zc</b> x2</p> <p>Zc-1      Zc-2</p>		

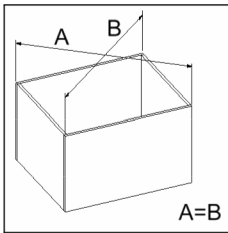
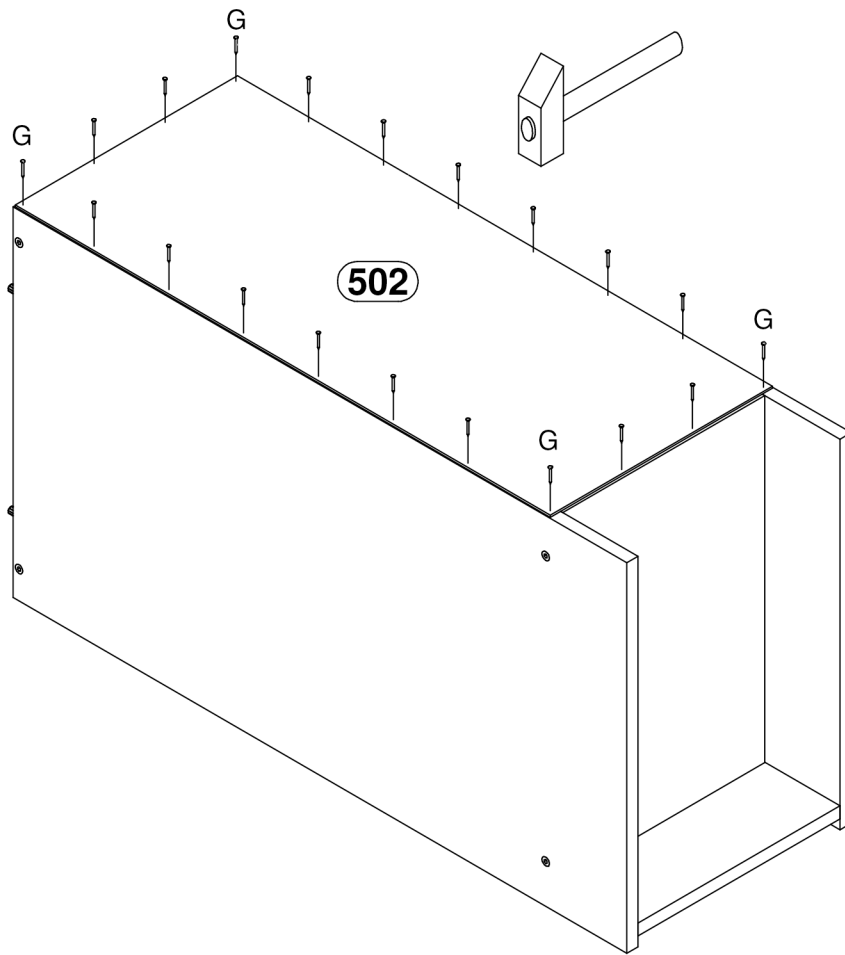
# 1



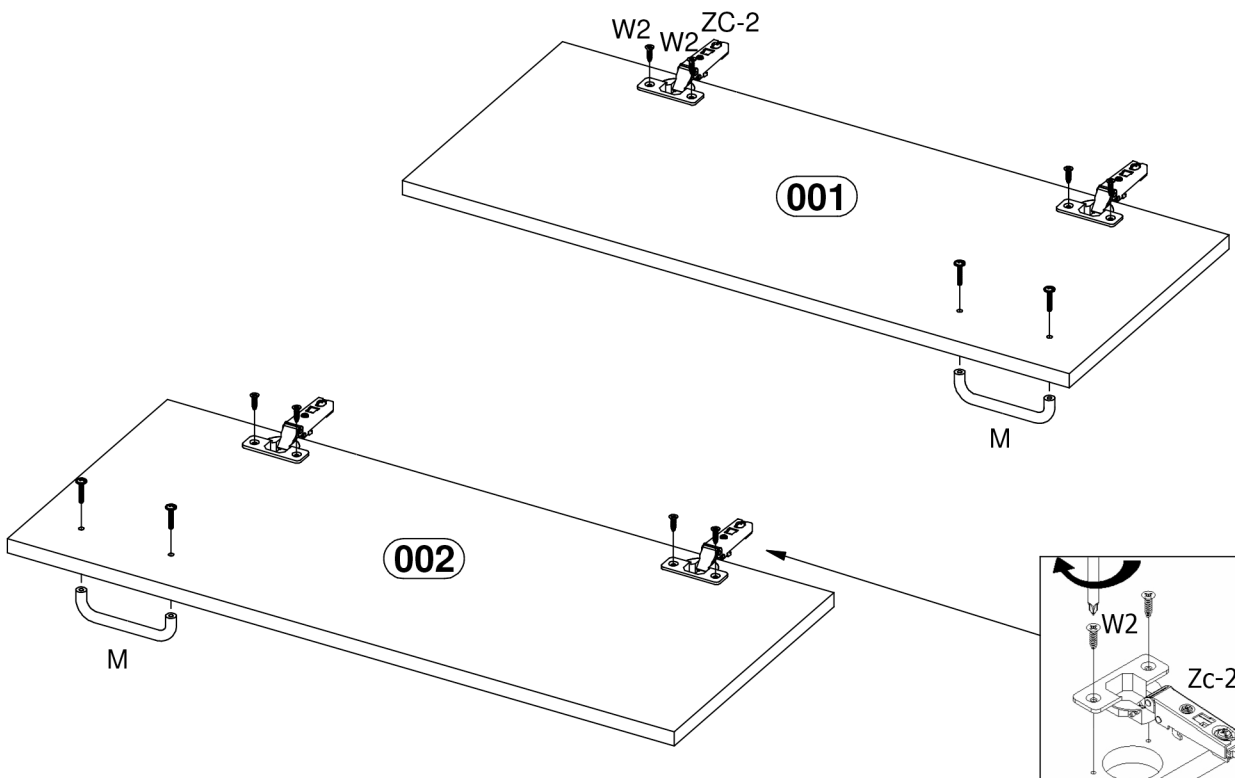
# 2



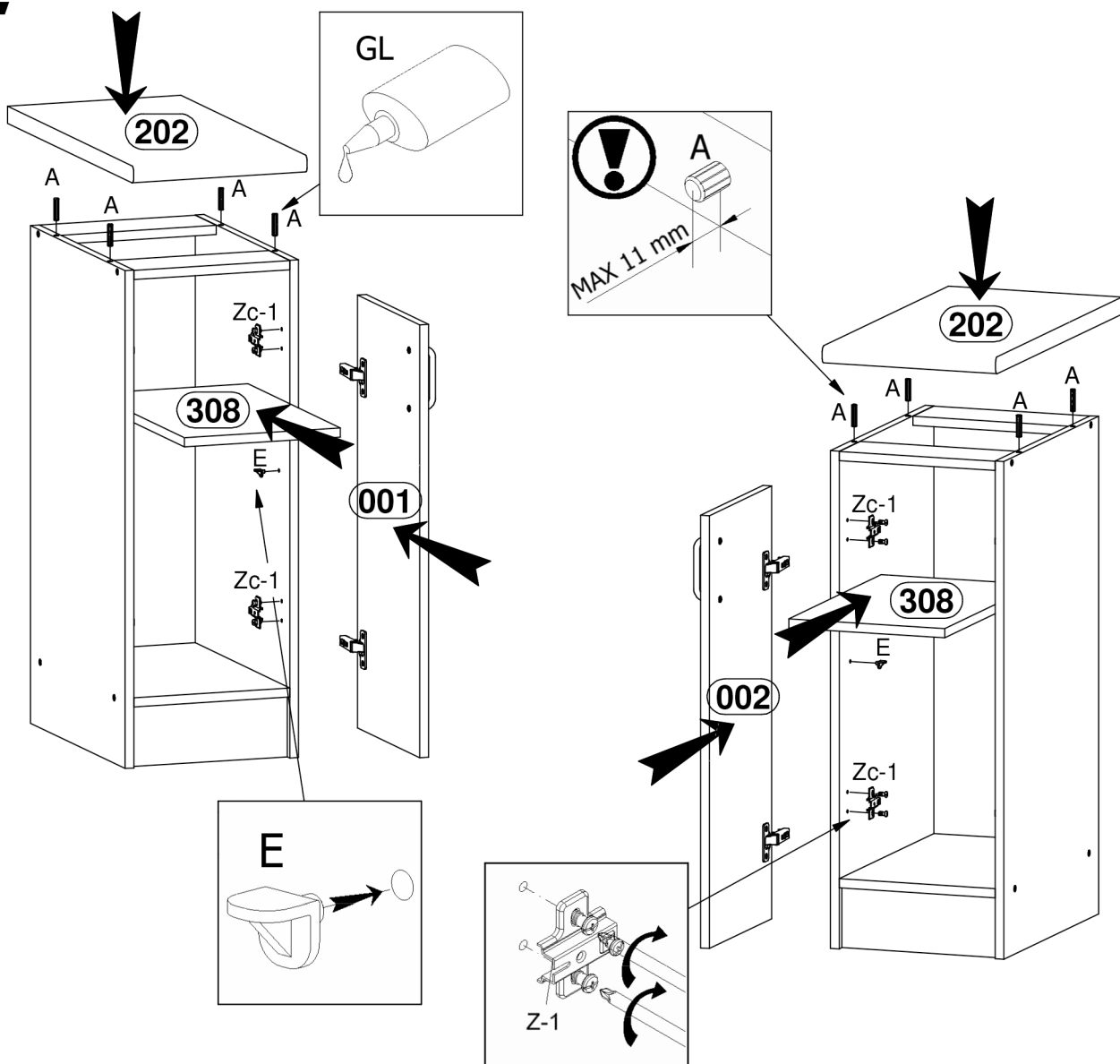
# 3



# 4



# 5



# 6

